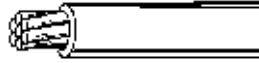


60 AMP ELECTRICAL SERVICE

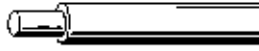
#6 - 55 AMPs



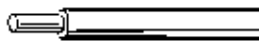
#8 - 40 AMPs



#10 - 30 AMPs



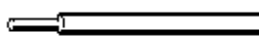
#12 - 20 AMPs



#14 - 15 AMPs



#16 - 10 AMPs

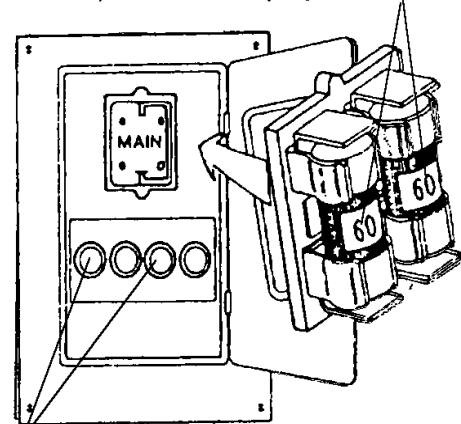


#18 - 7 AMPs



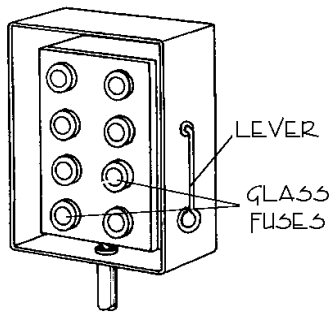
Typical residential copper wire sizes

60 AMP CARTRIDGE FUSES

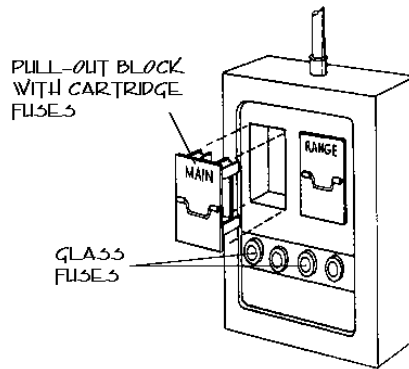


GLASS SCREW FUSES

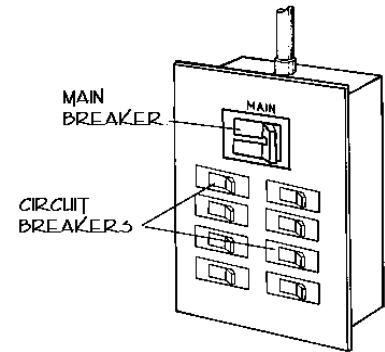
Typical 60 amp fuse panel



LEVER

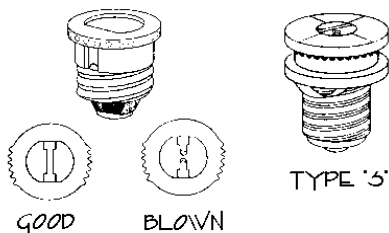


PULL-OUT FUSE BLOCK



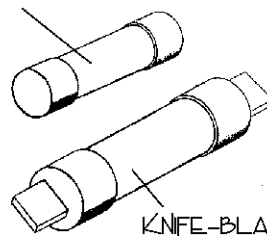
SINGLE MAIN BREAKER

Types of main disconnects



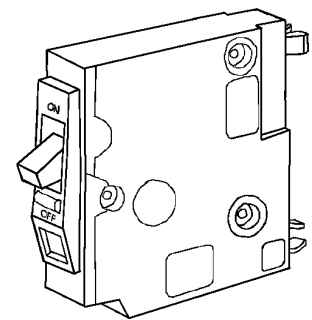
GLASS / SCREW

FERRULE TYPE
(60 AMPs OR LESS)



CARTRIDGE

KNIFE-BLADE TYPE
(100 AMPs OR MORE)



SINGLE POLE
CIRCUIT BREAKER

Types of fuses and breakers

